

FAITHFUL

Electric Sieving Apparatus

DSX

User Manual

Please read this manual carefully before use

FAITHFUL INSTRUMENT (HEBEI) CO.,Ltd

Faithful Technology Park, No.26 Road, East Development Zone, Huanghua City,
Cangzhou City, Hebei Province, China

Tel: (86)317-533-7349 Fax: (86)317-533-8349

Website: www.faitful.cc

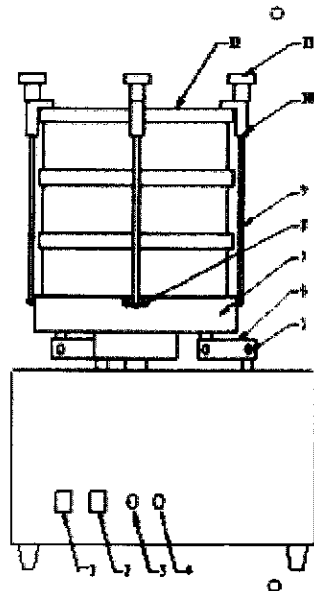
E-mail: info@faitful.cc

DSX is according to GB5494-85 《 method of food oil grain not perfect or impurity inspection 》 national standards as the development and production of a professional equipment. This equipment and grain choose matching grain choose matching sieve, widely used in food, fuel, the screening of the determination, is necessary for agriculture breeding sieve classification equipment.

I . Working Principle

The selection of equipment desktop structures of worm gear and worm as variable speed drive, the screen by three o'clock plane support body, through the eccentric linkage mechanism of plane rotary motion. In the electric control of the 89 LE52 single-chip microcomputer control are turning and reverse, control and reversing high precision time, program performance rocky, and none of the power supply can work again and again.

II . Product Schemes



- 1.power button 2.start button 3.turning indicator 4.reverse indicator
 5.tight set screws 6.connecting rod 7.tray 8.positioning 9.bars 10.press
 down on the hook 11. adjustment screws 12.grain sieve

III. Technical Specification

1. Sieve time : (veering) $60 \pm 2\%S$
(inversion) $60 \pm 2\%S$
2. Sieve diameter : 220mm
3. Screen moves scope : 100mm
4. Biggest range : 500g
5. Power require : 220V 50Hz
6. Power resources : 60W
7. Size : 350X330X200
8. Dispersion Weight : 13kg

IV. Operation Method

1. After selected sieve and grain matching, according to the test to select and test items corresponding to the sieve layer.
2. After the DSX is power on , should be optional sequential sets well , pour down the sample to selected sieve, covered it with screen cover, then placed it in the tray and tighten the lever.
3. , Press the start button, DSX will automatically exchange screening 1min and stop with the pros and cons of the program. If need to sieve another sample after pour the sieved sample , please place the sample in the screen grid, press the start button.
4. Tighten the lever remove the sieve layer, pour the sample into the sample tray, test it by the rules.

V. Attention and Common Troubleshooting

1. The apparatus should be placed on hard workbench in a dry and well ventilated laboratory, to prevent shaking caused by work .
2. Put the samples in screen grid covered with screen cover, you must tighten the rod, make the screen layer smoothly placed in the tray firmly , then press the start button . Do not press the start button before not tighten the lever or remove the rod .
3. Constant attention to the three connecting rod at both ends of the set screws to prevent loosening of the vibration and noise.
4. When three-wheel connecting rod displacement and death of the tray card, check whether the six screws at both ends of the three connecting rod are loose, and adjust each one .
5. When gearbox stuck, given away the four screws in the middle of the tray and the three screws at the rod outer end , then adjust the gearbox.

VI.Packing List

Item	Quantity
main controller	1set
three core power	1piece
bars (160 mm)	3piece
adjusting screw	3piece
press down on the hook	3piece
spring	3piece
fuse (0.5 A)	1piece
brush a broom	1piece
manual	1piece